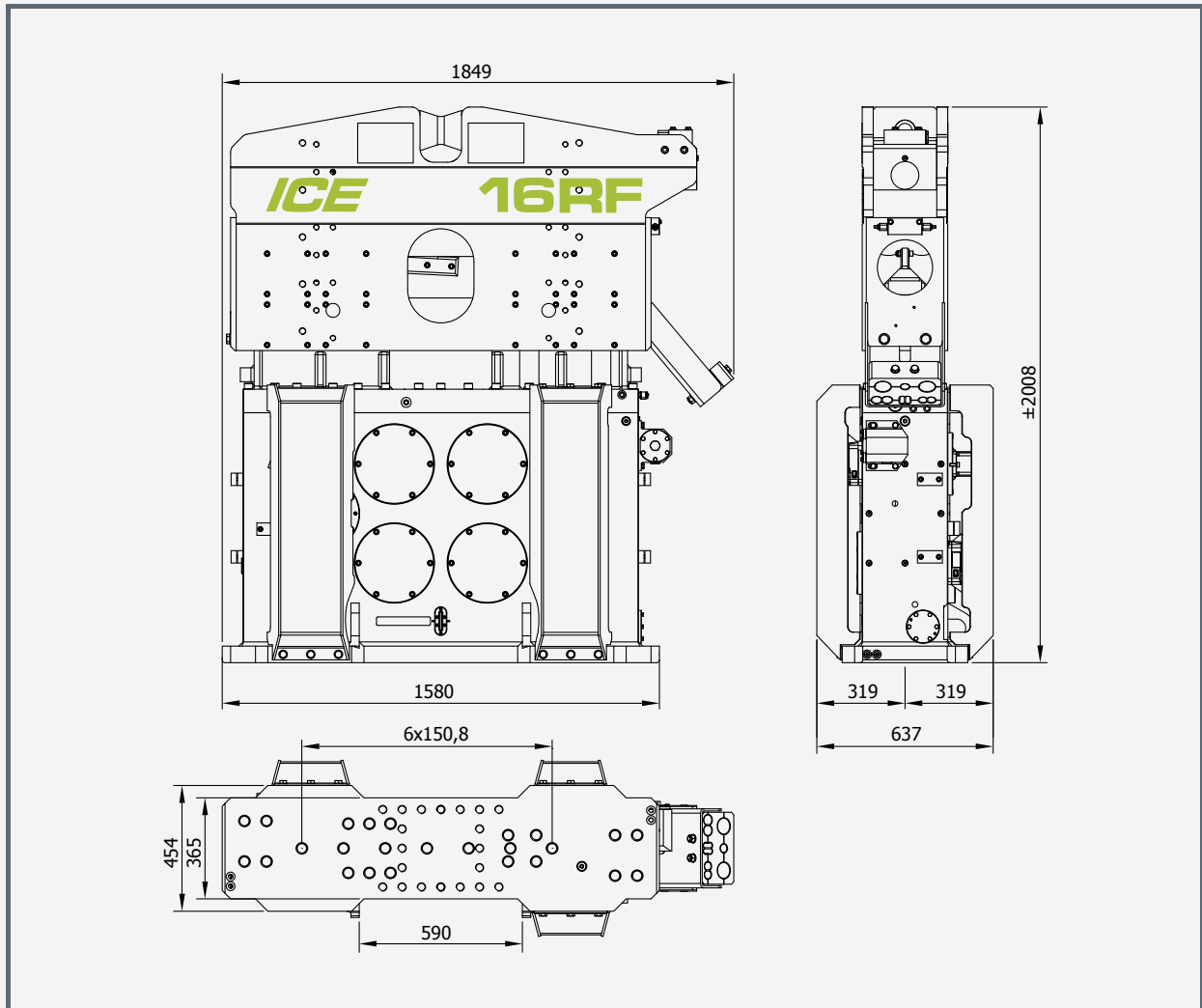
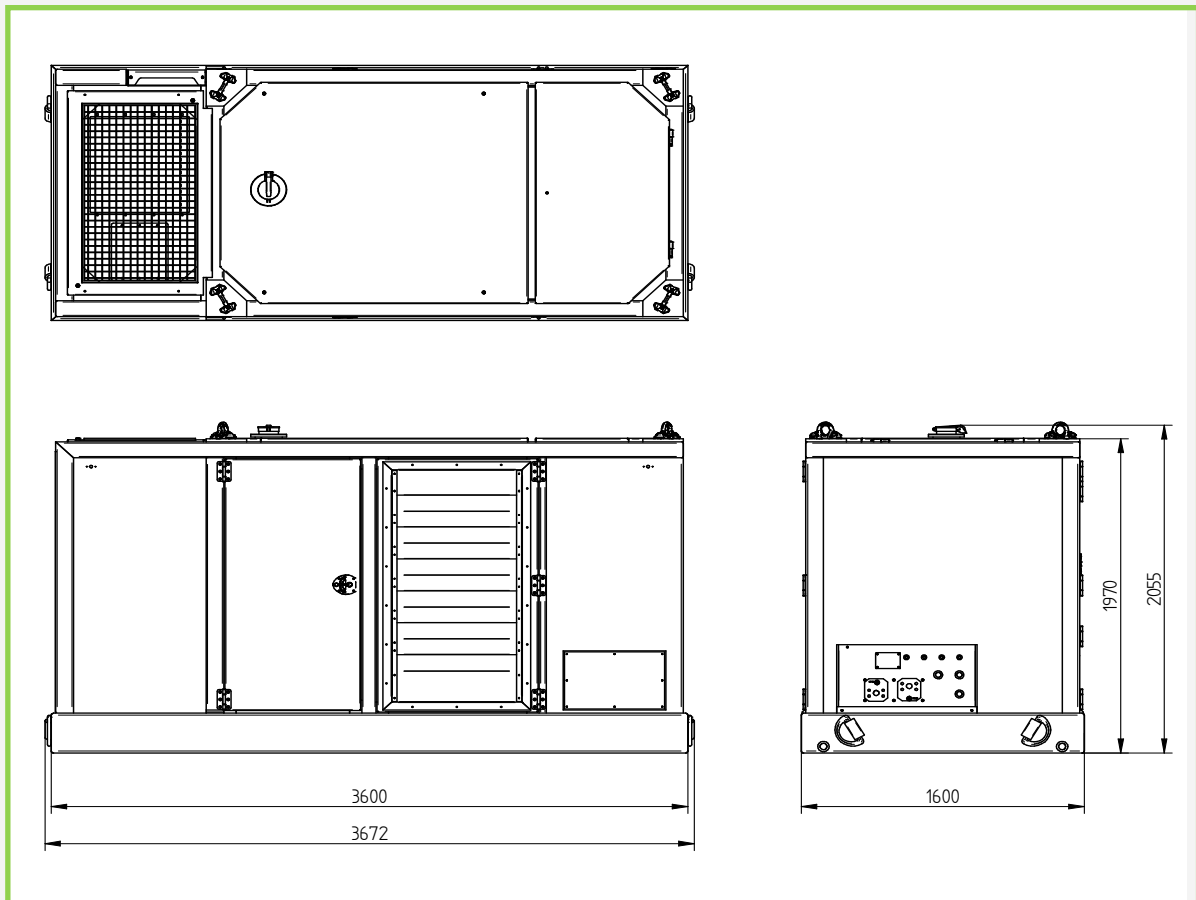


ICE 16 RF Vibratory Hammer



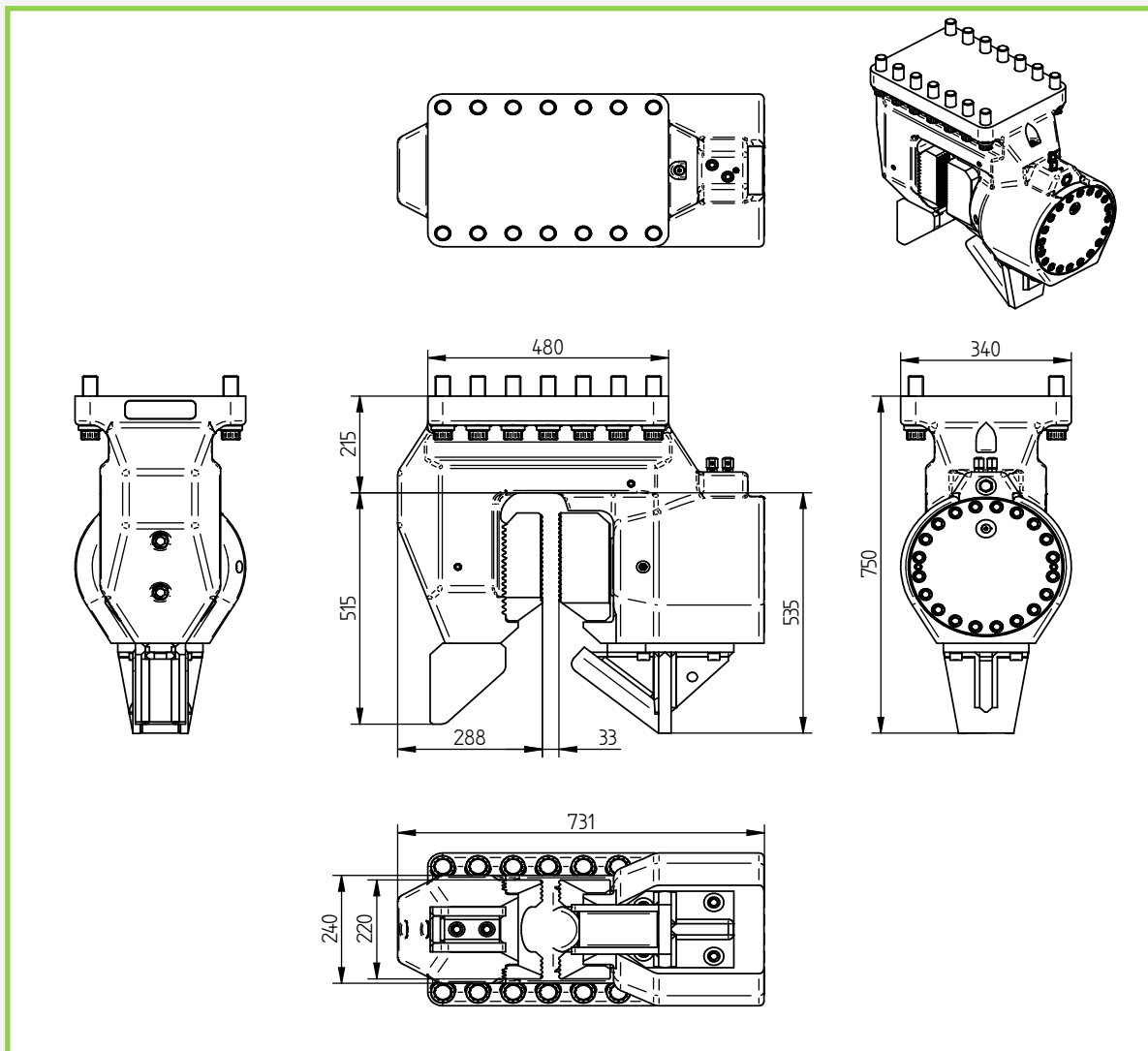
Specifications	16RF			
Eccentric moment	0-16	kgm	Clamps:	
Max. centrifugal force	0-928	kN	Sheet pile clamp	130TU
Max. frequency	2300	rpm	Transport weight per piece	610 kg
Max. amplitude excluding 130 TU	13	mm	Tube clamps	81TC
Max. amplitude including 130 TU	10	mm	Transport weight per piece	480 kg
Max. static line-pull	240	kN	Powerpack:	
Max. operating pressure	350	bar	Model	400 series
Max. oil flow	375	l/min	Hose set:	
Forced lubrication	yes		Length	30 m
Dynamic weight excluding 130 TU	2460	kg	Transport weight	615 kg
Dynamic weight including 130 TU	3070	kg		
Total weight excluding 130 TU & hoses	3560	kg		

ICE 400 PP Hydraulic Power Pack



Specifications :	ICE 400 STAGE V	
Diesel Engine	Volvo TAD 884 VE	
Max. theoretical power	250/340	kW/HP
Max. frequency	2200	rpm
Max. operating pressure	350	bar
Hydraulic pump	Parker	
Max. oil flow	396	L/min
Diesel oil	530	L
DEF (AdBlue) capacity	25	L
Hydraulic oil	800	L
Weight without fuel	4700	kg
Weight filled up	5150	kg

ICE 130 TU *Universal Clamp*



Specifications :	ICE 130TU	
Sheet pile clamp		
Clamping force	1300	kN
Max. operating press.	320	bar
Max. clamp open press.	180	bar
Weight	610	kg