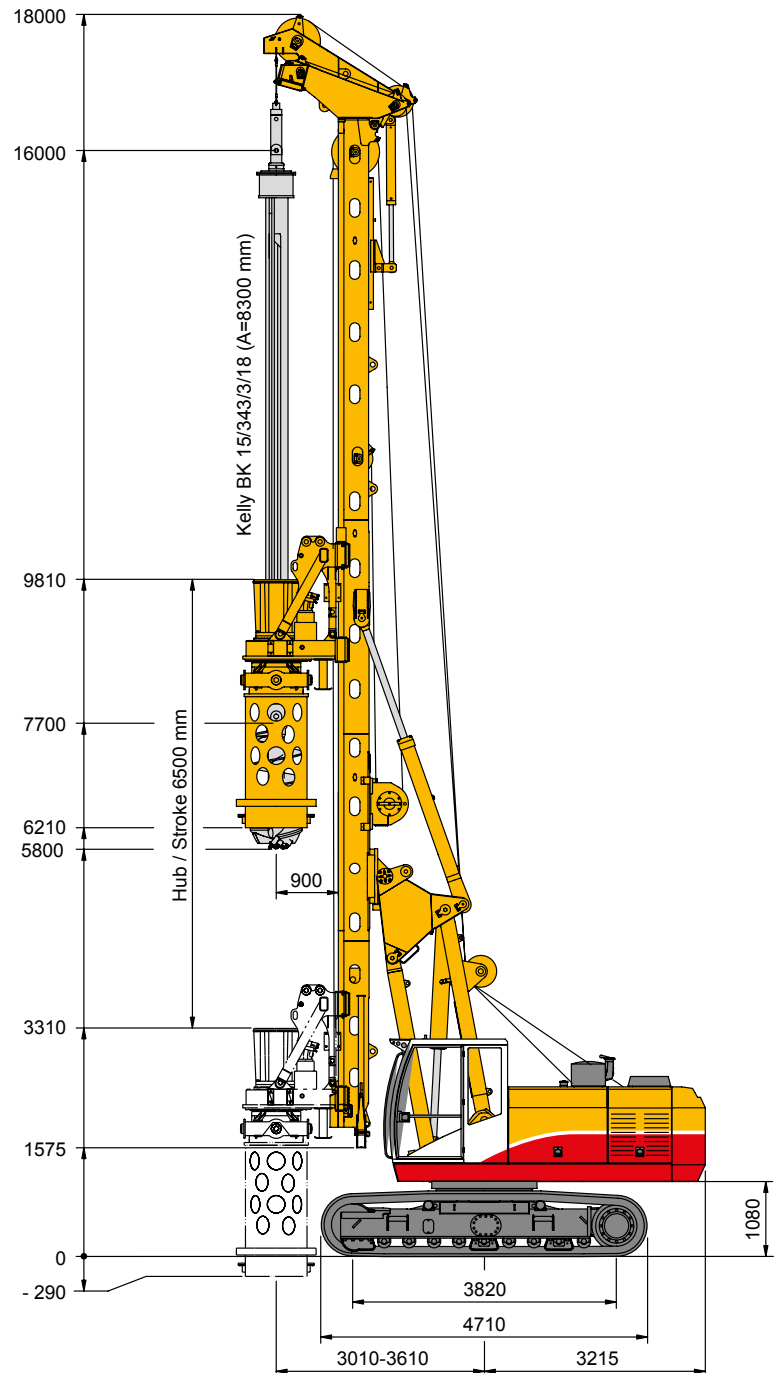




## BG 15 H

### Technical data BG 15 H - BT 40

<b>Overall height</b>	18.000 mm
<b>Operating weight (approx.)</b> (with Kelly BK15/343/3/18)	49.500 kg
<b>Rotary drive</b>	KDK 150 KL
Torque (nominal) at 300 bar	151 kNm
Speed of rotation (max.)	36 U/min
<b>Crowd winch</b>	
Crowd pressure / pull (effective)	200 / 200 kN
Crowd pressure / pull measured at the casing drive adapter on the rotary drive	145 / 165 kN
Stroke (kelly system)	6.500 mm
Stroke (CFA system)	12.370 mm
Speed (down/up)	7,0 / 7,0 m/min
Fast speed (down/up)	27,0 / 27,0 m/min
<b>Main winch</b>	
Winch classification	M6 / L3 / T5
Single line pull (1 <sup>st</sup> layer effective)	110 kN
Single line pull (1 <sup>st</sup> layer nominal)	140 kN
Rope diameter / length	22 mm / 50 m
Line speed max	77 m/min
<b>Auxiliary winch</b>	
Winch classification	M6 / L3 / T5
Single line pull (1 <sup>st</sup> layer effective)	55 kN
Single line pull (1 <sup>st</sup> layer nominal)	70 kN
Rope diameter / length	15 mm / 50 m
Line speed (max.)	55 m/min
<b>Mast inclination</b>	
Backward / forward / lateral	15° / 5° / +-5°

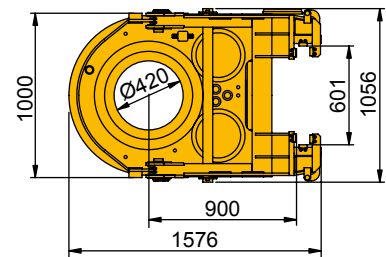
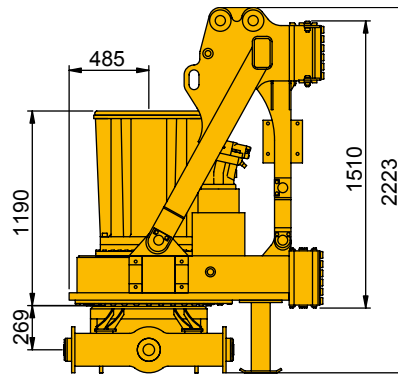




**Rotary drive**

**KDK 150 KL**

**Weight c/w sledge** 3,5 t



**Base carrier BT 40 CAT C7**

Engine	
Rated output ISO 3046-1	168 kW @ 1800 U/min
Engine conforms to Exhaust Emission Standard	EEC 97/68EC Stage 3 und EPA/CARB TIER III
Diesel tank	500 l
Ambient air temperature (at full power)	- 20° C bis (up to) 40° C
Sound pressure level in cabin (EN 791, Annex A)	LP <sub>A</sub> 76 dB(A)
Sound power level 2000/14/EG u. EN 791, Annex A)	LW <sub>A</sub> 110 dB(A)
Hydraulic system	
	Zweikreisbohrhydraulik
Hydraulic power output (measured at inlet to rotary drive)	123 kW
Hydraulic pressure	300 bar
Flow rates (main circuits + auxiliary circuit)	2 x 180 l/min + 1 x 105 l/min
Hydraulic oil tank capacity	500 l
Undercarriage (Retractable crawler frames)	
	<b>UW 45</b>
Crawler type	B 60
Track width (retracted/extended)	2.400 / 3.400 mm
Overall width of crawlers (retracted/extended)	3.000 / 4.000 mm
Width of triple grouser track shoes	600 mm
Overall length of crawlers	4.710 mm
Traction force (effective)	350 kN
Traction force (nominal)	410 kN
Travel speed	1,5 km/h

