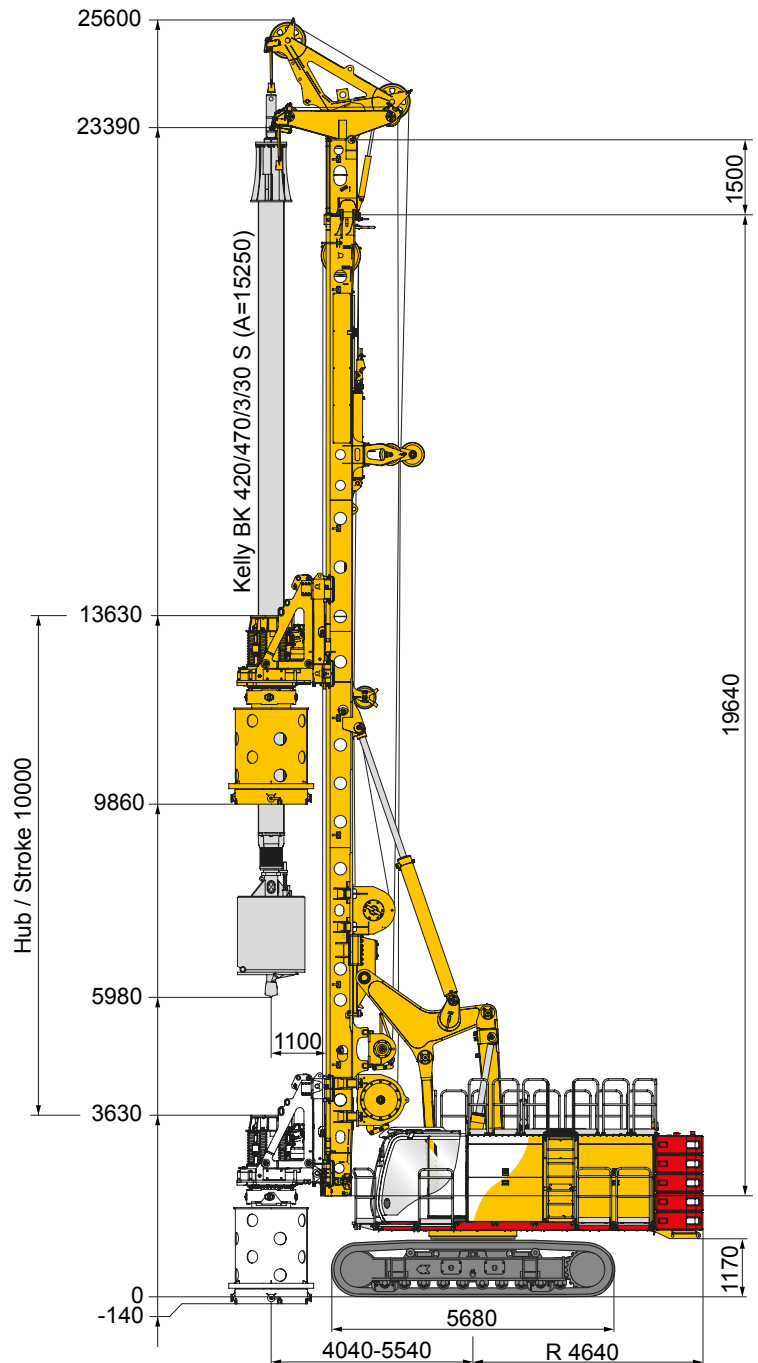




BG 36 H

Technical data BG 36 H - BS 95

Overall height	27.099 mm
Operating weight (approx.) (as shown)	118 t
Rotary drive	KDK 365 S
Torque (nominal) at 350 bar	365 kNm
Speed of rotation (max.)	52 U/min
Crowd winch	
Crowd force push / pull, effective	400 / 400 kN
Crowd force push / pull (measured at the casing drive adapter)	350 / 315 kN
Speed (down / up)	7,2 / 7,2 m/min
Fast speed (down / up)	26,4 / 26,4 m/min
Main winch	multi-layer
Winch classification	M6 / L3 / T5
Line pull (1 st layer) effective / nominal	290 / 367 kN
Rope diameter	32 mm
Line speed max	75 m/min
Auxiliary winch	multi-layer
Winch classification	M6 / L3 / T5
Line pull (1 st layer) effective / nominal	80 kN / 100kN
Mast inclination	
Backward / forward / lateral	15° / 5° / 5°

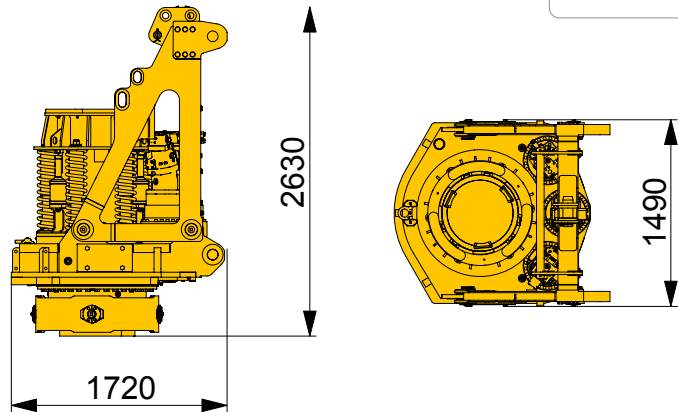




Rotary drive

KDK 365 S

Weight c/w sledge 7,3 t



Geräteträger BS 95

CAT C15

Engine

Rated output ISO 3046-1	403 kW / 1.850 rpm
Engine conforms to EEC 97/68 EC	Stage IV Tier 4 final
Diesel tank / AdBlue Tank	840 / 35 l
Ambient air temperature (at full power)	up to 45 °C
Sound pressure level in cabin (EN 16228, Anh. B)	LP _A 80 dB(A)
Sound power level (2000/14/EG u. EN 791, Anh. A)	LW _A 112 dB(A)

Hydraulic system dual hydraulic circuit system for drilling

Hydraulic power output (measured at inlet to rotary drive)	315 kW
Hydraulic pressure	350 bar
Flow rates	2 x 425 + 1 x 565 + 1 x 215 l/min
Hydraulic oil tank capacity	1.000 l

Undercarriage UW 110

Crawler type	B 7
Track width (retracted/extended)	2.600 / 3.800 mm
Overall width of crawlers (retracted/extended)	3.400 / 4.600 mm
Width of triple grouser track shoes	800 mm
Overall length of crawlers	5.680 mm
Traction force (effective)	740 kN

Drilling data

Drilling diameter for drill axis 1.100 mm uncased / cased	1.900 / 1.600 mm
---	------------------

