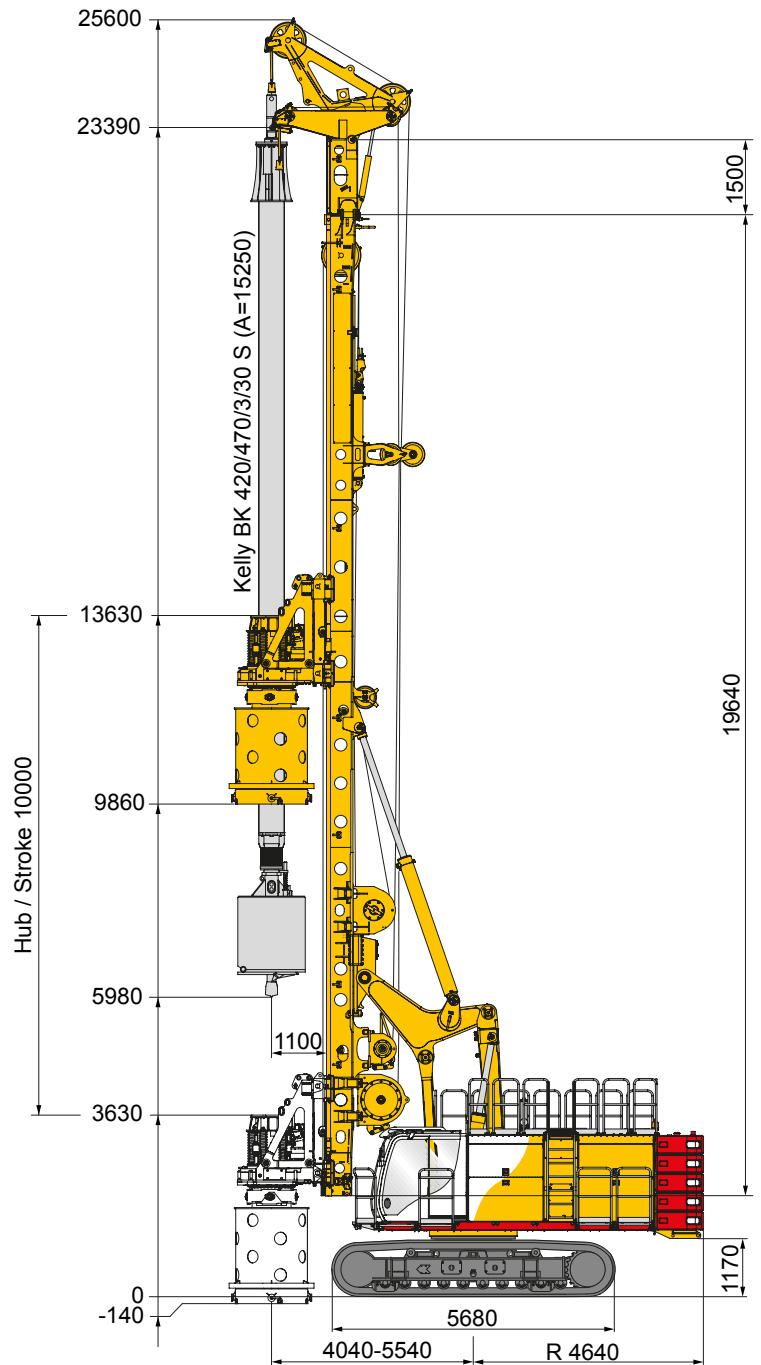




BG 33 H

Technical data BG 36 H - BT 85

Overall height	27.099 mm
Operating weight (approx.) (as shown)	118 t
Rotary drive	KDK 365 S
Torque (nominal) at 350 bar	365 kNm
Speed of rotation (max.)	52 U/min
Crowd winch	
Crowd force push / pull, efective	400 / 400 kN
Crowd force push / pull (measured at the casing drive adapter)	350 / 315 kN
Speed (down / up)	7,2 / 7,2 m/min
Fast speed (down / up)	26,4 / 26,4 m/min
Main winch	
Winch classification	M6 / L3 / T5
Line pull (1 st layer) effective / nominal	290 / 367 kN
Rope diameter	32 mm
Line speed max	75 m/min
Auxiliary winch	
Winch classification	M6 / L3 / T5
Line pull (1 st layer) effective / nominal	80 kN / 100kN
Mast inclination	
Backward / forward / lateral	15° / 5° / 5°

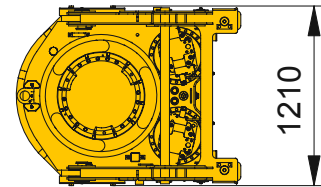
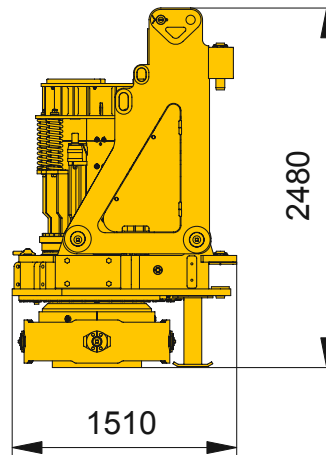




Rotary drive

KDK 340 K

Weight c/w sledge 6,7 t



Base carrier BT 85 CAT C13

Engine

Rated output ISO 3046-1	354 kW / 1.800 rpm
Engine conforms to EEC 97/68 EC	Stage IV Tier 4 final
Diesel tank / AdBlue Tank	600 / 34,5 l
Ambient air temperature (at full power)	up to 45 °C
Sound pressure level in cabin (EN 16228, Anh. B)	LP _A 80 dB (A)
Sound power level (2000/14/EG u. EN 16228, Anh. B)	LW _A 114 dB (A)

Hydraulic system dual hydraulic circuit system for drilling

Hydraulic pressure	350 bar
Hydraulic oil tank capacity	650 l

Undercarriage UW 100

Crawler type	B 7
Track width (retracted/extended)	2.500 / 3.700 mm
Overall width of crawlers (retracted/extended)	3.300 / 4.500 mm
Width of triple grouser track shoes	800 mm
Overall length of crawlers	5.660 mm

Drilling data

Drilling diameter for drill axis 1.100 mm uncased / cased	1.900 / 1.600 mm
---	------------------

