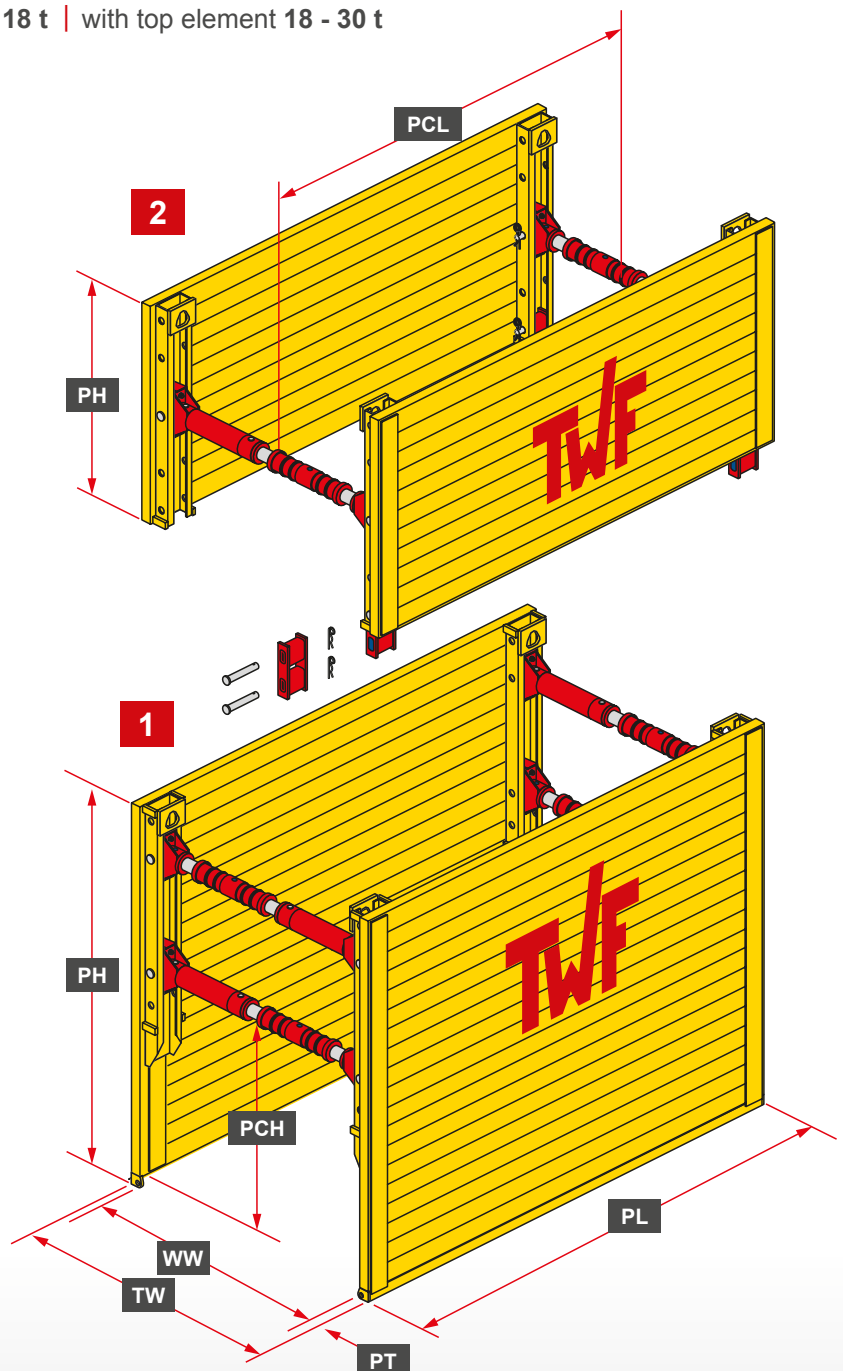


► Trench Shoring Systems

Light Box Shoring Type 300

- For **medium trench shoring** with light construction machinery
- Installation by **lower and cut method** in unstable soils
- Mobile- or crawler excavator: **12 - 18 t** | with top element **18 - 30 t**
- Maximum trench depth: **3,80 m**
- Trench width: **1,11 - 4,40 m**
- Pipe clearance height: **1,27 m**



1	Base element
2	Top element
PH	Plate height
TW	Trench width
WW	Working width
PT	Plate thickness
PCH	Pipe clearance height
PL	Plate length
PCL	Pipe clearance length



► Light Box Shoring Type 300

Element	Plate length PL (m)	Plate height PH (m)	Plate thickness PT (mm)	PC-length PCL (m)	PC-height PCH (m)	Char. System resistance R_k (kN/m ²)	Weight c/w spindle (kg/box)
1	2,00	2,00 / 2,40 / 2,60	60	1,60	1,14 / 1,28 / 1,28	68,1 / 49,3 *	1051 / 1205 / 1281
2		1,40				68,05	665
1	2,50	2,00 / 2,40 / 2,60	60	2,10	1,14 / 1,28 / 1,28	55,4 / 39,4 *	1245 / 1431 / 1523
2		1,40				55,4	797
1	3,00	2,00 / 2,40 / 2,60	60	2,60	1,14 / 1,28 / 1,28	45,4 / 32,9 *	1437 / 1661 / 1773
2		1,40				45,4	929
1	3,50	2,00 / 2,40 / 2,60	60	3,10	1,14 / 1,28 / 1,28	34,3 / 28,2 *	1539 / 1779 / 1899
2		1,40				34,3	1061

* The Char. System resistance is based on the indicated PC-height.

Standard Spindle

Number intermediate pipe	Working width WW (m)	Trench width TW (m)	Safe working load (kN)	Weight complete (kg)
0	0,98 – 1,27	1,11 – 1,40	468	65
1	1,48 – 1,77	1,61 – 1,90	403	86
2	1,98 – 2,27	2,11 – 2,40	348	107
3	2,48 – 2,77	2,61 – 2,90	299	128
4	2,98 – 3,27	3,11 – 3,40	254	149
5	3,48 – 3,77	3,61 – 3,90	210	170
6	3,98 – 4,27	4,11 – 4,40	165	191

