



► Aluminium Light Weight Shoring

Aluminium Light Weight Shoring

- For **small construction projects** (utility lines, house connections etc.)
- Installation with **place and adjust method** in stable soils
- By hand | Mini-excavator: **3 - 7 t**
- Maximum trench depth: **3,00 m**
- Trench width: **0,70 - 2,28 m**

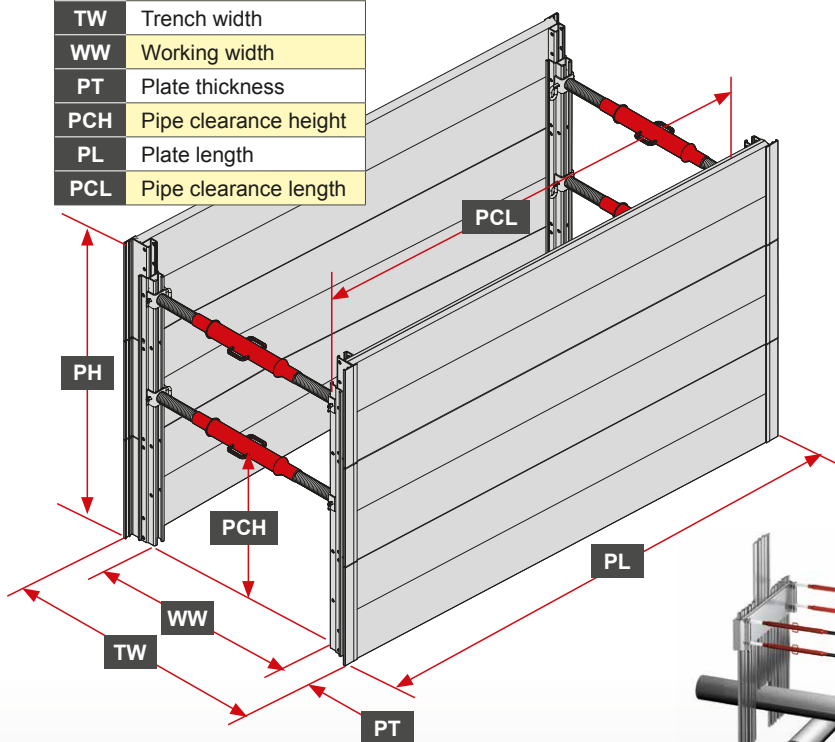
Plate length PL (m)	Plate height PH (m)	Plate thickness PS (mm)	PC-length PCL (m)	PC- height PCH (m)	Char. System resistance R _s (kN/m ²)	Weight per Box (kg/Box)
0,91	1,50 / 2,00 / 2,50 / 3,00*	50	0,69	0,75	51,0	312**
1,55	1,50 / 2,00 / 2,50 / 3,00*	50	1,33	0,75	51,0	411**
2,00	1,50 / 2,00 / 2,50 / 3,00*	50	1,78	0,75	51,0	469**
2,55	1,50 / 2,00 / 2,50 / 3,00	50	2,33	0,75	34,5	569**
3,00	1,50 / 2,00 / 2,50 / 3,00	50	2,78	0,75	26,2	635**

* Maximum trench depth: 6,00 m

** Weight per box corresponds to a trench depth of 3.0 m, with spindle 1,29 -2,18



PH	Plate height
TW	Trench width
WW	Working width
PT	Plate thickness
PCH	Pipe clearance height
PL	Plate length
PCL	Pipe clearance length



Spindle

Working width AB (m)	Safe working load (kN)	Weight (kg)
0,6 - 0,81	103,5 - 56,4	5,54
0,8 - 1,21	98,9 - 56,1	7,35
1,29 - 2,18	84,3 - 44,2	11,49

Accessories	Length (m)	Weight (kg)
Panel Connector	0,28	2,03
Panel Connector	1,35	6,55
Panel Connector	1,85	9
3D Lifting eye		1,5
Spanner for Spindle		2,3

- The Aluminium trench sheet complements the Aluminium Light Weight Shoring System GIGANT.

► on request